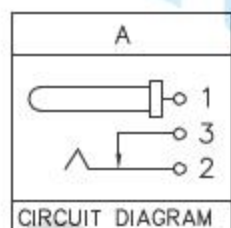
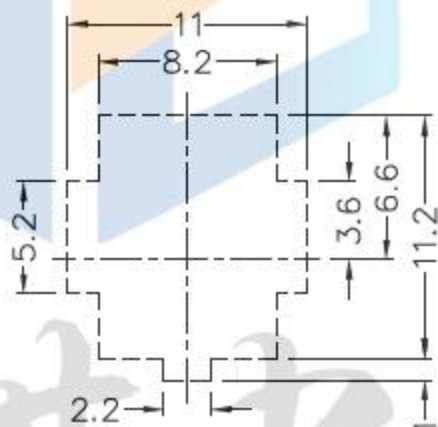
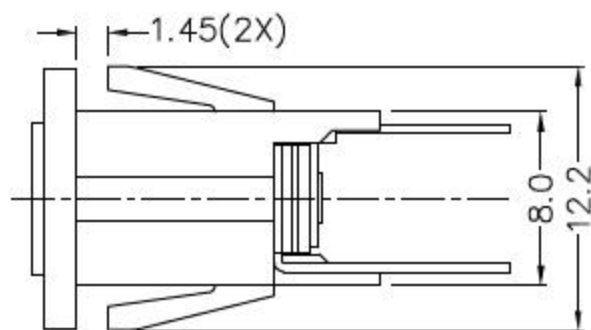
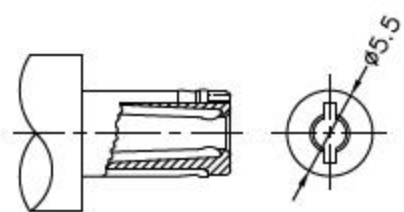


RECOMMENDED PCB LAYOUT  
TOLERANCE: ±0.05  
(TOP VIEW)



MODEL NO.	H	J
CENTER PIN	∅2.0mm	∅2.5mm



DC MATE PLUG

Specification:

1. Rating : 5A/16V DC Max.
2. Contact resistance : ≤30mΩ  
After test: ≤60mΩ
3. Insulation resistance : ≥100MΩ (DC500V).  
After test: ≥50MΩ
4. Withstanding voltage : 500VAC.
5. Insertion and extraction force : 0.3~3Kgs.
6. Life test : 5,000cycles min.
7. Operation temperature range: -25 ℃-85 ℃.

PANEL CUT OUT  
TOLERANCE: ±0.05  
(TOP VIEW)

设计:	Arvin: 2016.03.08	范围 Range	公差 Tolerance
审核:	Arvin:	X.X ±	X.X ±0.30
校对:	Ru yi:	X.XX ±	X.XX ±0.20
比例:	视角关系:	X.XXX ±	X.XXX ±0.10
版次:	图框大小: A4	Angle ±	Angle ±5°

东莞市恒祺电子科技有限公司

名称: DC插座      型号: DC-062A

料号:

共 张 , 第 张

备注: