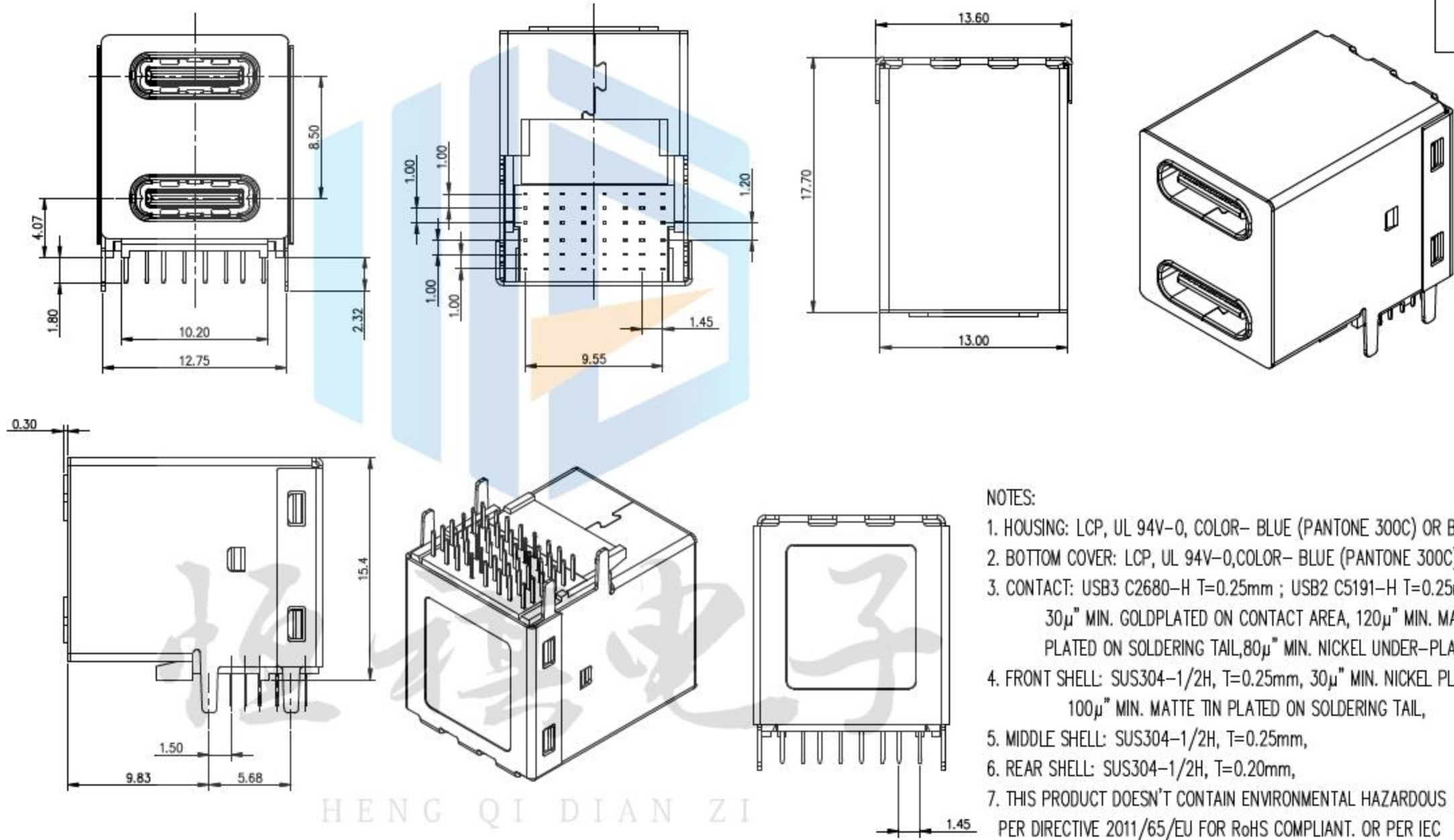


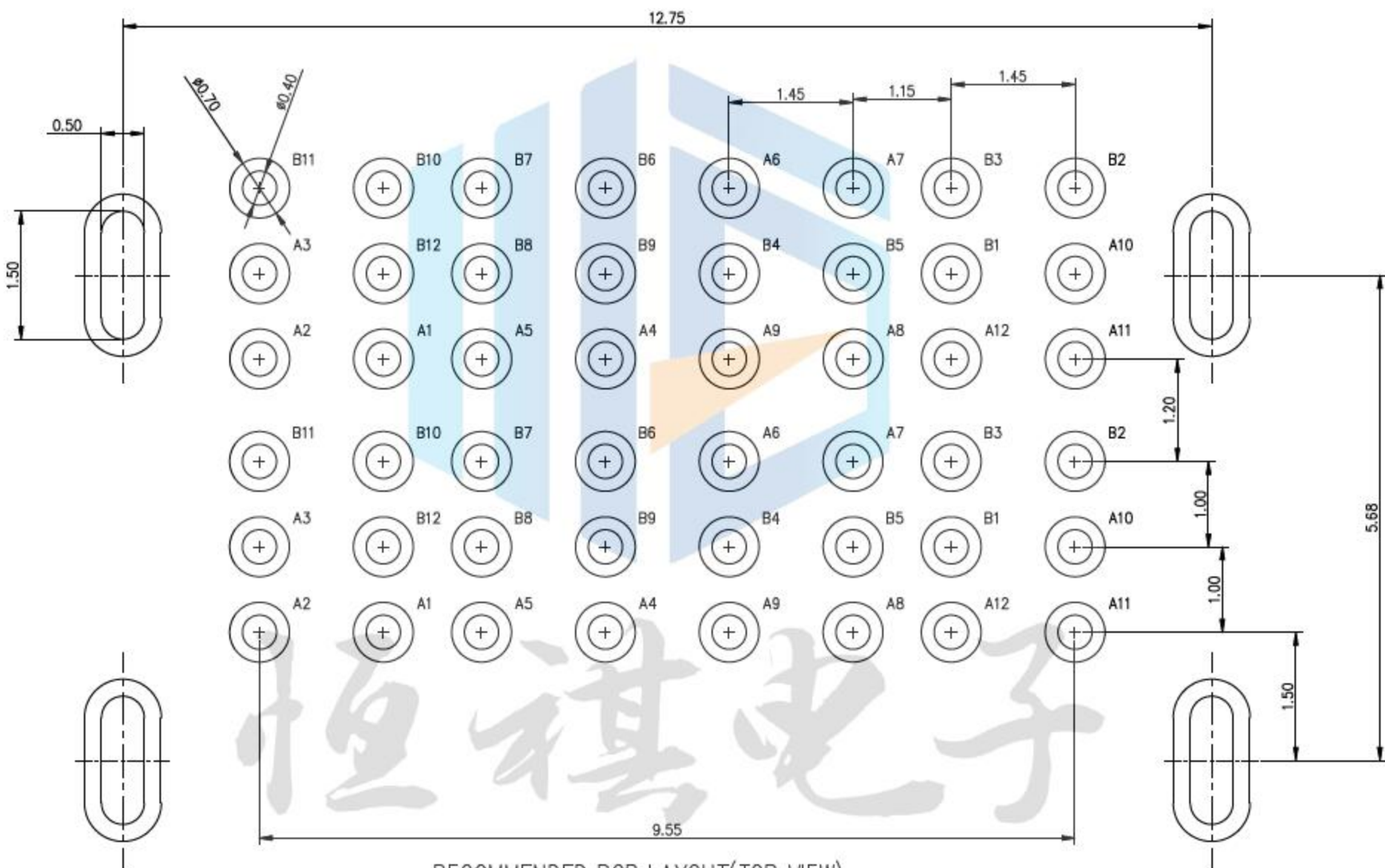
RoHS
COMPLIANT



NOTES:

1. HOUSING: LCP, UL 94V-0, COLOR- BLUE (PANTONE 300C) OR BLACK
2. BOTTOM COVER: LCP, UL 94V-0, COLOR- BLUE (PANTONE 300C) OR BLACK
3. CONTACT: USB3 C2680-H T=0.25mm ; USB2 C5191-H T=0.25mm
30 μ " MIN. GOLDPLATED ON CONTACT AREA, 120 μ " MIN. MATTE TIN
PLATED ON SOLDERING TAIL, 80 μ " MIN. NICKEL UNDER-PLATED OVERALL
4. FRONT SHELL: SUS304-1/2H, T=0.25mm, 30 μ " MIN. NICKEL PLATED OVER ALL,
100 μ " MIN. MATTE TIN PLATED ON SOLDERING TAIL,
5. MIDDLE SHELL: SUS304-1/2H, T=0.25mm,
6. REAR SHELL: SUS304-1/2H, T=0.20mm,
7. THIS PRODUCT DOESN'T CONTAIN ENVIRONMENTAL HAZARDOUS
PER DIRECTIVE 2011/65/EU FOR RoHS COMPLIANT. OR PER IEC
61249-2-21 FOR HALOGEN-FREE COMPLIANT.

设计:	Arvin: 2016.03.08	范围 Range	公差 Tolerance	东莞市恒祺电子科技有限公司	
审核:	Arvin:	X.X \pm	X.X ± 0.30		
校对:	Ru yi:	X.XX \pm	X.XX ± 0.20	名称: TYPE-C	料号:
比例:	视角关系:	X.XXX \pm	X.XXX ± 0.10	形号: 24PIN双层	
版次:	图框大小: A4	Angle \pm	Angle $\pm 5^\circ$	共 张 , 第 张	备注:



RECOMMENDED PCB LAYOUT(TOP VIEW)
(DEFAULT TOLERANCE: ± 0.05)

恒祺电子

设计:	Arvin: 2016.03.08	范围 Range	公差 Tolerance	东莞市恒祺电子科技有限公司	
审核:	Arvin:	X.X \pm	X.X ± 0.30		
校对:	Ru yi:	X.XX \pm	X.XX ± 0.20	名称: TYPE-C	料号:
比例:	视角关系:	X.XXX \pm	X.XXX ± 0.10	形号: 24PIN双层	
版次:	图框大小: A4	Angle \pm	Angle $\pm 5^\circ$	共 张 , 第 张	备注: